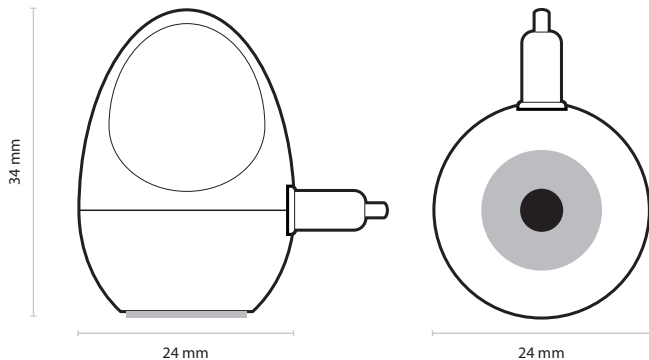


Optical detection	Activated when the display lights up
Light sensitivity	Visible light >3 lux
Placement	Horizontally on the display
Ergonomic design	Ideal for people with impaired vision/dexterity
Battery	1 x AAA 1.5 V alkaline
Operating time	> 1 years under normal use
Connectors	Sensor: 2.5 mm teleplug, adapter: 3.5mm tele teleplug
Visit compatible	Integrates mobile devices with the Visit system

Patent pending



Mobile phone sensor BE9250

bellman.com

European office
Bellman & Symfon Europe AB
Södra Långebergsgatan 30
421 32 Västra Frölunda
Sweden
Phone +46 31 68 28 20
Fax +46 31 68 28 90
E-mail info@bellman.se

Asia Pacific office
Bellman & Symfon Asia Ltd.
1115-16, Main Tower, GD Int'l Hotel
339 Huanshi Dong Rd
Guangzhou, China, 510095
Phone +86 20 8318 2950
Fax +86 20 8333 5528
E-mail info.cn@bellman.com

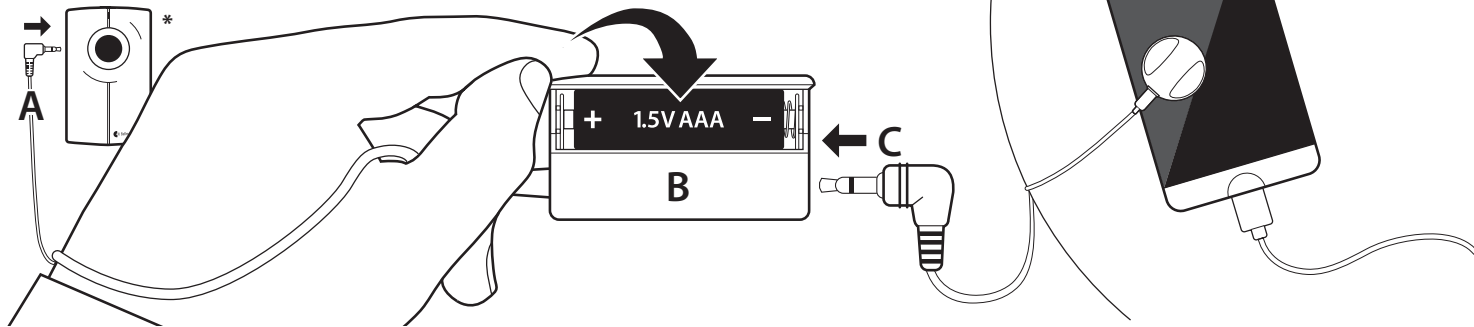
BE9250_017MAN004

bellman.com

© 2013, Bellman & Symfon AB, all rights reserved. Bellman, Bellman & Symfon AB, the Bellman & Symfon logo are registered trademarks of Bellman & Symfon AB.

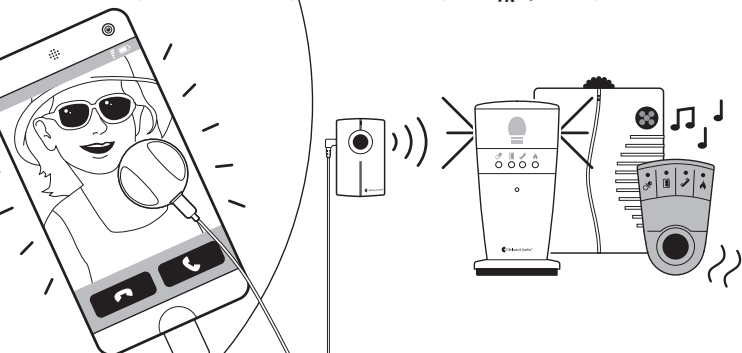
1

- | | | | |
|-----------------|----------------|--------------|--------------|
| GB Connect | SE Anslut | ES Conectar | PL Podłączyć |
| DE Anschliessen | NO Tilkobling | IT Collegare | CZ Připojit |
| FR Connectez | DK Tilslutning | PT Ligar | HU Telepítés |
| NL Aansluiten | FI Liittää | GR Συνδέω | SRB Povezati |



2

- | | | | |
|-----------|------------|------------|---------------|
| GB Test | SE Testa | ES Probar | PL Testowanie |
| DE Testen | NO Testing | IT Provar | CZ Test |
| FR Tester | DK Test | PT Testar | HU Tesztelés |
| NL Test | FI Testaus | GR Έλεγχος | SRB Provera |



Troubleshooting

GB Appendix

If	Try this
The receiver is not activated when there is an incoming call or message	<ul style="list-style-type: none"> • Make sure that the sensor is placed on the screen of your device and that the screen lights up. • Check the battery in the battery pack. Change it if needed. You can test the batteries by tilting the Mobile phone sensor. If the battery is charged, the LED on the transmitter lights up. • Ensure that all cables are properly connected. • Check the radio link by pressing the Test-button on the transmitter.
The receiver is activated randomly	<ul style="list-style-type: none"> • Make sure that the sensor is standing upright on a flat surface

* Visit transmitter sold separately.